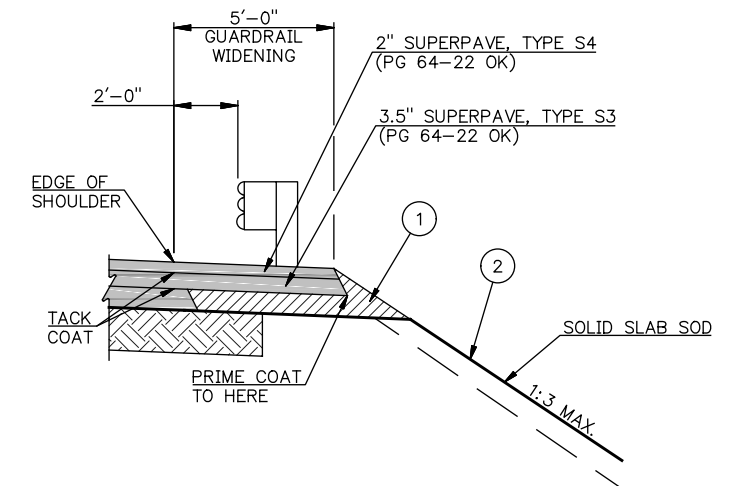


GUARDRAIL FORESLOPE TRANSITION AND GUARDRAIL WIDENING TAPER DETAIL

(N.T.S.)

SUGGESTED SEQUENCE OF CONSTRUCTION

1. **NORMAL TRAFFIC ON SH-30**
 - A. CONSTRUCT NEW BRIDGE.
 - B. CONSTRUCT FULL SECTION SH-30 PAVING AND DRAINAGE (C.R.L. SH-30 STA. 576+00 TO STA. 596+00).
 - C. CONSTRUCT SPUR DIKES AT NORTH AND SOUTH BRIDGE ABUTMENTS.
 - D. CONSTRUCT TEMPORARY CROSS DRAIN UNDER EXISTING PAVEMENT USING FLAG MEN.
2. **SHIFT TRAFFIC WEST TO EDGE OF SH-30 (ONE LANE EACH DIRECTION)**
 - A. PLACE PORTABLE LONGITUDINAL BARRIER ALONG EAST EDGE OF EXISTING PAVEMENT.
 - B. CONSTRUCT TEMP. CROSS DRAINS USING FLAGMEN.
 - C. CONSTRUCT TEMP. ASPHALT WIDENING (C.L. SURV. SH-30 STA. 553+07 TO STA. 581+82 AND STA. 594+28 TO STA. 623+73).
3. **SHIFT TRAFFIC EAST TO TEMP. ASPHALT WIDENING OF SH-30 (ONE LANE EACH DIRECTION)**
 - A. PLACE PORTABLE LONGITUDINAL BARRIER ALONG WEST EDGE OF DETOURED SOUTHBOUND LANE.
 - B. CONSTRUCT NEW SH-30 PAVING, WEST SHOULDER, SLOPES AND DRAINAGE, TYING TO EXISTING PAVEMENT (C.R.L. SH-30 STA. 563+79.97 TO STA. 576+00 AND STA. 596+00 TO STA. 613+00).
 - C. CONSTRUCT E1500 ROAD.
4. **SHIFT TRAFFIC WEST TO NEW BRIDGE AND PAVING OF SH-30 (ONE LANE EACH DIRECTION)**
 - A. RELOCATE PORTABLE LONGITUDINAL BARRIER ALONG EAST EDGE OF MAINLINE.
 - B. REMOVE EXISTING BRIDGE.
 - C. REMOVE EXIST. ROADWAY AND WIDENING.
 - D. FINISH CONSTRUCTION OF REMAINDER OF MAIN LINE SH-30 RT. SHOULDER PAVING, DRAINAGE, SLOPES AND DRIVES (C.R.L. SH-30 STA. 563+79.97 TO STA. 576+00 AND STA. 596+00 TO STA. 613+00).



TYPICAL SHOULDER AND GUARDRAIL PLACEMENT

S.H. 30
 STA. 578+72.11 TO STA. 581+50.23 LT. & RT.
 STA. 592+10.69 TO STA. 594+88.82 LT. & RT.

GUARDRAIL WIDENING DETAIL